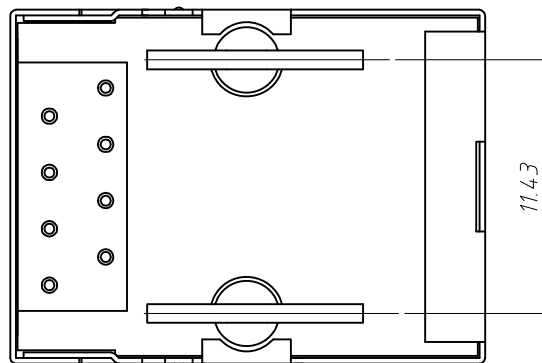


PC Board Layout

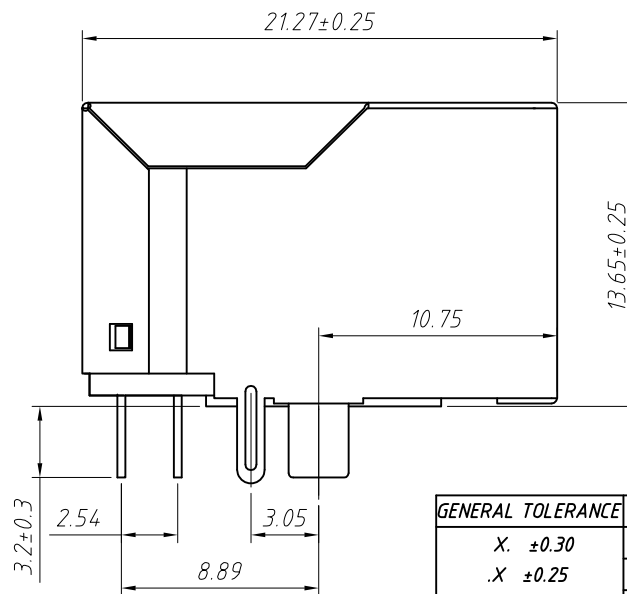
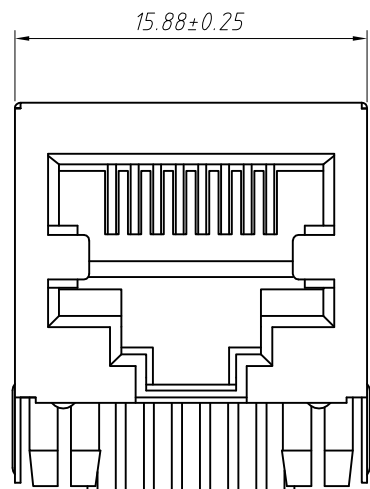


Material:

- 1.Housing:PBT+30% Glass Filled Polyester, UL 94 V-0
- 2.Contact:Phosphor Bronze $\phi 0.46\text{mm}$
- 3.Shield:H65Y
- 4.PLATING: Plating over nickel.

Electrical:

- 1.Current Rating:1.5A
- 2.Voltage Rating:125VAC
- 3.Contact Resistance:30M Ω Max.
- 4 Insulation Resistance:500M Ω Min @500VDC
- 5.Withstanding Voltage:1000VAC 50Hz or 60Hz 1min
- 6.Durability:600 cycles Min
- 7.Operation:-40 $^{\circ}$ C ~ +70 $^{\circ}$ C



Order Information

L-KLS12-107-8P8C-W-4-01

Point NO.	Gold Thickness
8P8C Point	01-Fu"
Shielded	02-3u"
W-With Shielded	03-6u"
Peg/TAB :	04-15u"
4-Back Peg 3.05	05-30u"
	RoHS

GENERAL TOLERANCE	PROJECTION		Description:
X. ± 0.30	UNITS	mm	Modular jacks,RJ45-8P8C Jack,1x1 with Shell,Back 3.05
.X ± 0.25	SCALE	1:1	
.XX ± 0.20	Draw by:	Jenny	KLS P/N: L-KLS12-107-8P8C-W-4-01
ANGLE TOLERANCE	Check by:		
X. $\pm 3^{\circ}$	Date	2018-03-01	NingBo KLS ELECTRONIC CO.,LTD.
.X $\pm 2^{\circ}$	SHEET	1 OF 1	
.XX $\pm 1^{\circ}$			